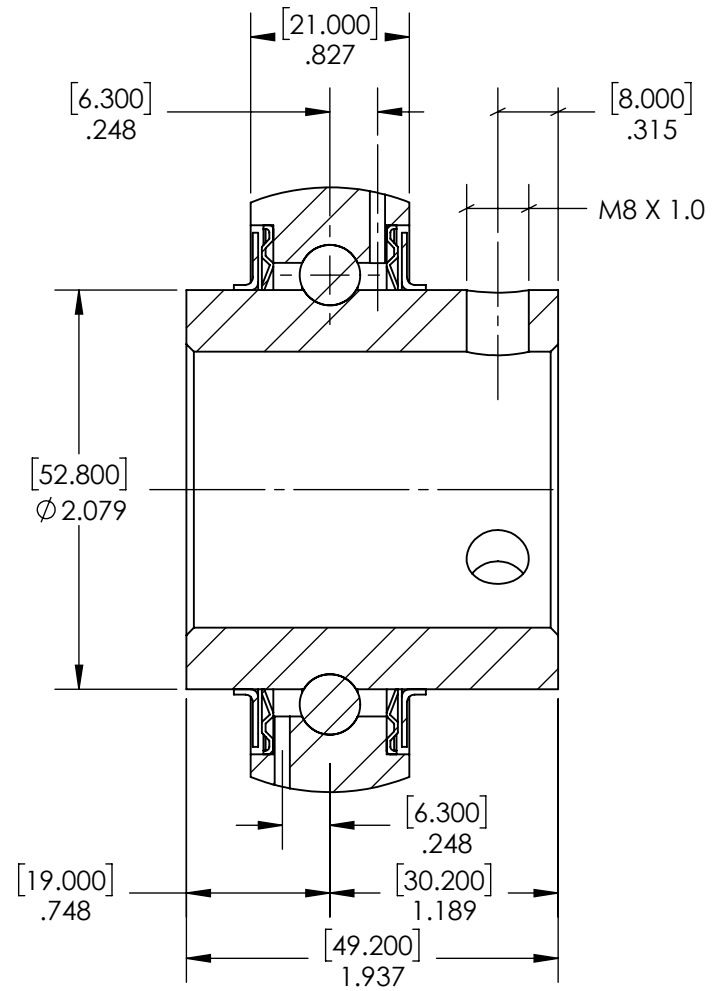
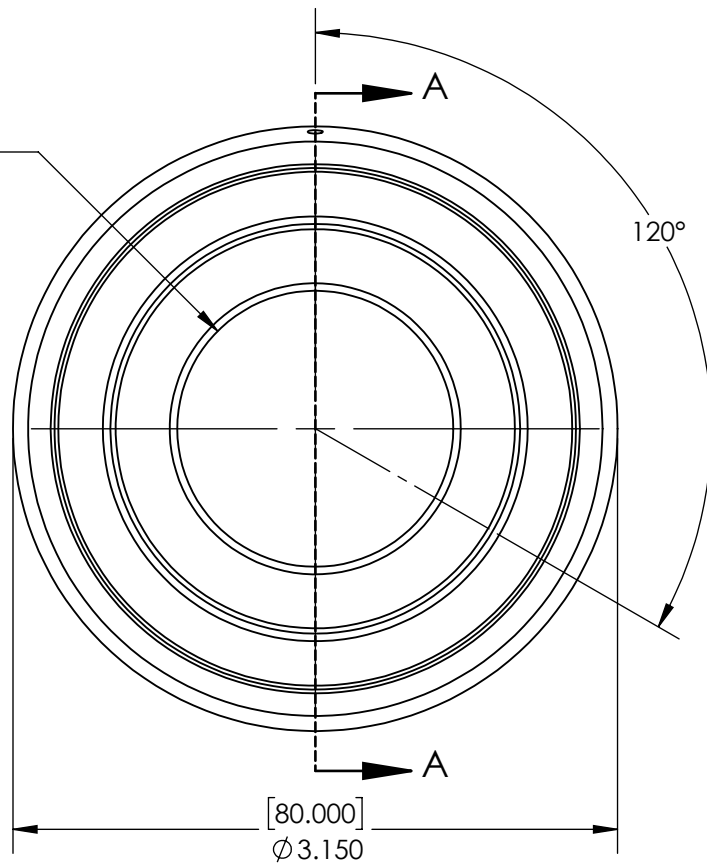


[36.513]
Ø 1.4375



SECTION A-A

High Temp Bearings

TITLE:

1 7/16" MEDIUM DUTY BALL BEARING

SIZE	DWG. NO.	REV
A	UCX07-23	A

SCALE: NTS WEIGHT: 1.32LBS SHEET 1 OF 1